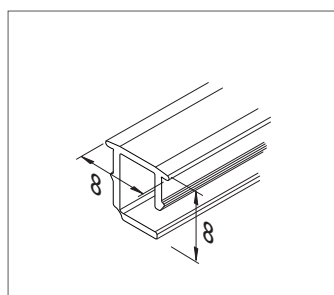
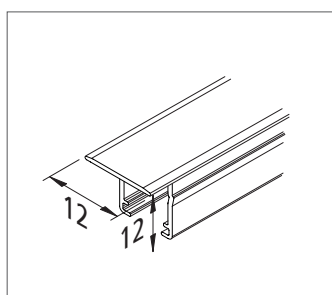


Milled Profiles – IN-Stick



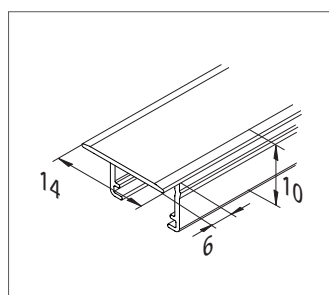
Milled Profile 8/8mm

PC highly matt 8 mm –
10 mm –



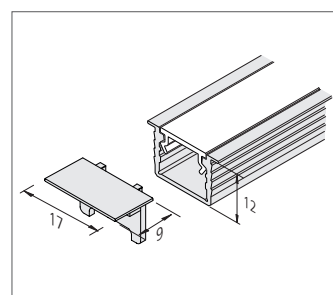
Milled Profile 12/12mm

PC highly matt 8 mm –
10 mm –



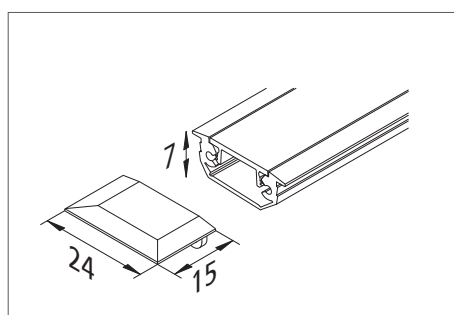
Milled Profile 14/10mm

PC highly matt 8 mm –
10 mm –



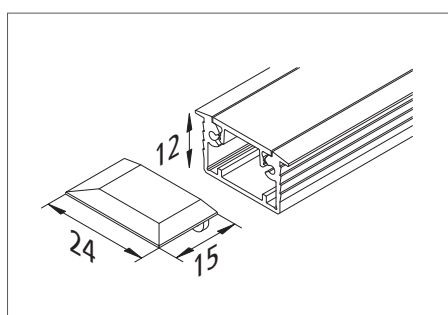
Milled Profile 17/12mm

anodized aluminium 8 mm ✓
10 mm –



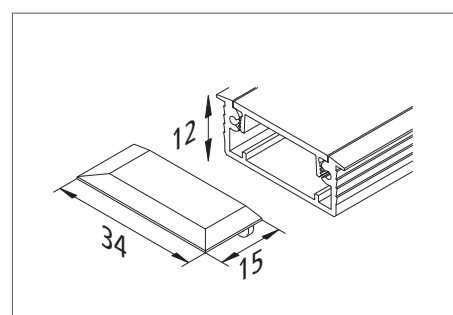
Milled Profile 24/7mm

anodized aluminium 8 mm ✓
+ black 10 mm –



Milled Profile 24/12mm

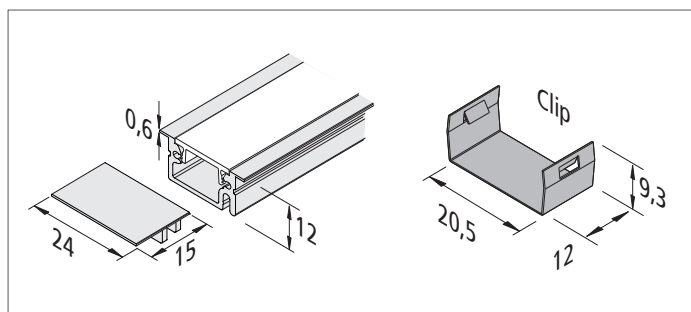
stainless steel look 8 mm ✓
+ anodized aluminium + black 10 mm ✓



Milled Profile 34/12mm

anodized aluminium 8 mm ✓
10 mm ✓

Milled Profiles – IN-Stick

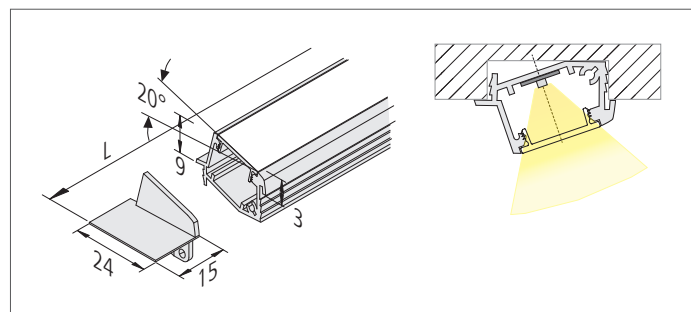


Milled Profile C 24mm

stainless steel look + black 8 mm ✓
10 mm ✓

Mounting clip

Milled Profiles – asymmetric

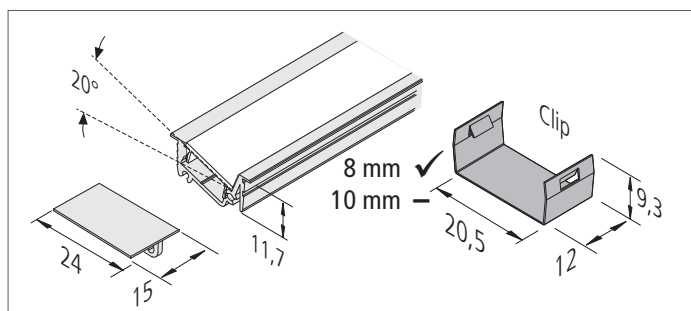


Milled Profile A 24mm

anodized aluminium + black 8 mm ✓
10 mm ✓

Mounting example

Milled Profiles – asymmetric

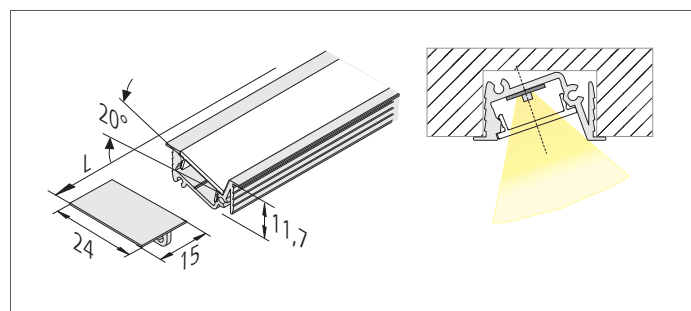


Milled Profile 24mm

stainless steel look + black 8 mm ✓
10 mm –

Mounting clip

Milled Profiles – asymmetric



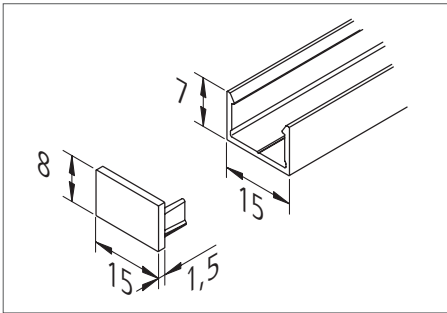
Milled Profile I 24mm

stainless steel look 8 mm ✓
+ anodized aluminium + black 10 mm –

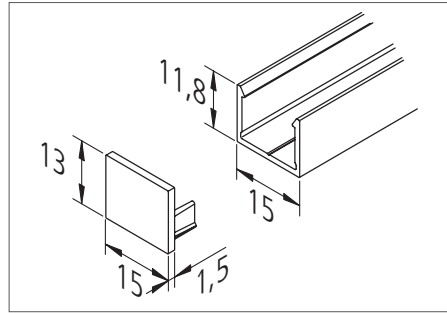
Mounting example

Compatible with 8 mm or 10 mm clip ✓ yes – no

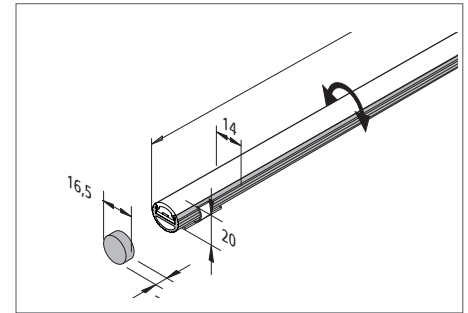
Mounting Profiles – Top-Stick



Mounting Profile 15/8mm
 anodized aluminium + black 8 mm ✓
 Top-Stick M=Mini 10 mm –

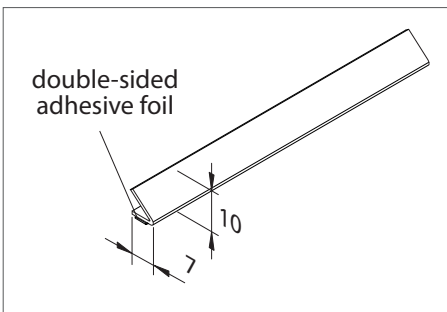


Mounting Profile 15/13mm
 anodized aluminium + black 8 mm ✓
 Top-Stick S=Small 10 mm ✓

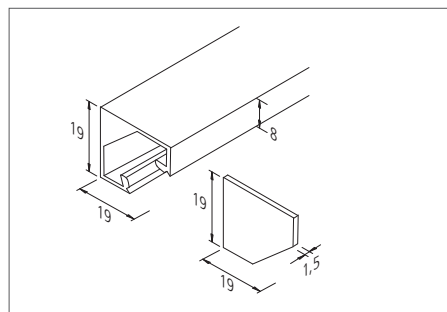


Mounting-/Coverprofile round
 anodized aluminium + black 8 mm –
 10 mm –

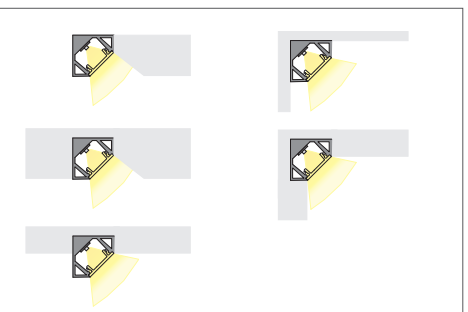
Corner Profiles – Corner



Corner Profile 10mm 45°
 aluminium 8 mm ✓
 10 mm ✓

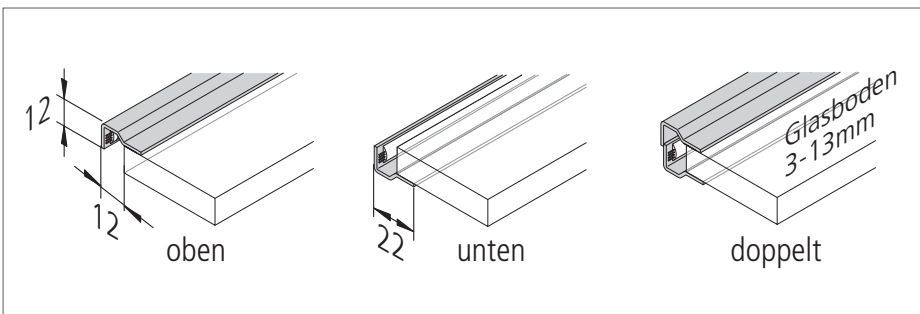


Corner Profile 19mm
 anodized aluminium + black 8 mm ✓
 10 mm ✓



Mounting example

Profile for glass shelves Profile for glass shelves



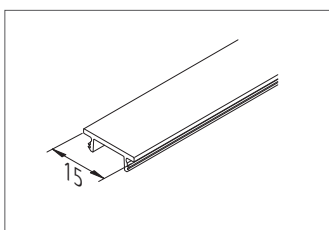
Profile for glass shelves
 anodized aluminium 8 mm ✓
 10 mm ✓

Legend

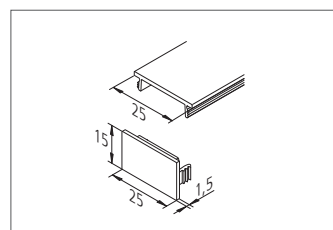
Compatible with
 8 mm or 10 mm clip

✓ yes
 – no

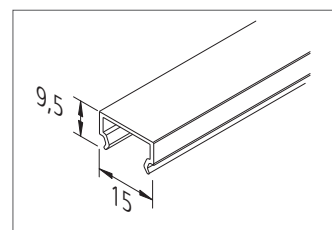
Cover Profiles



Cover Profile 15mm
 PC clear + slightly matt
 + highly matt + |slightly
 black matt

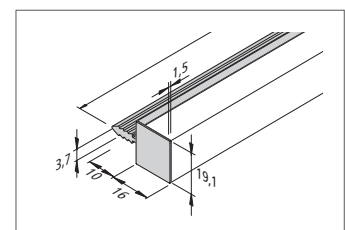


Cover Profile 25mm
 PC clear + slightly matt
 + highly matt



Cover Profile H
 PC highly matt

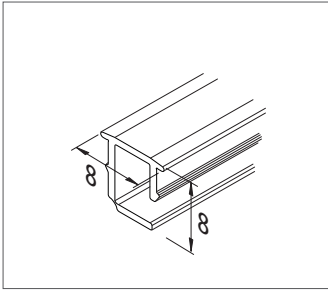
Back-Line



Back-Line
 anodized aluminium
 + black 8 mm ✓
 10 mm ✓

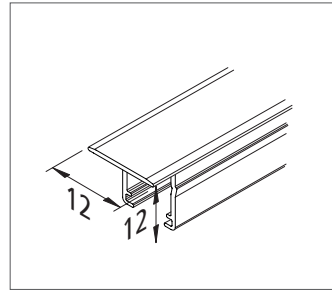
Compatible with 8 mm or 10 mm clip ✓yes – no

Einfräsprofile – IN-Stick



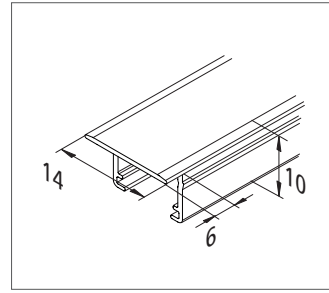
Einfräsprofil 8/8mm

PC stark mattiert 8 mm –
10 mm –



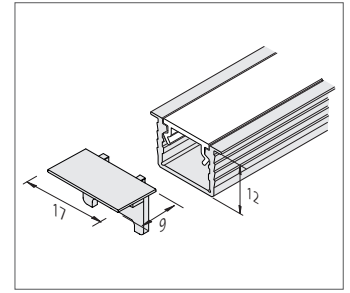
Einfräsprofil 12/12mm

PC stark mattiert 8 mm –
10 mm –



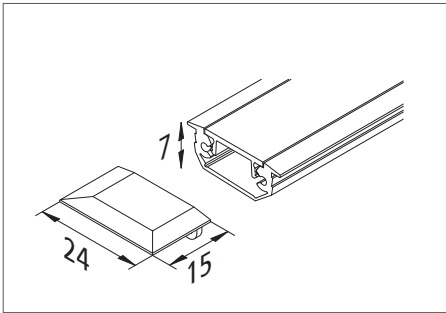
Einfräsprofil 14/10mm

PC stark mattiert 8 mm –
10 mm –



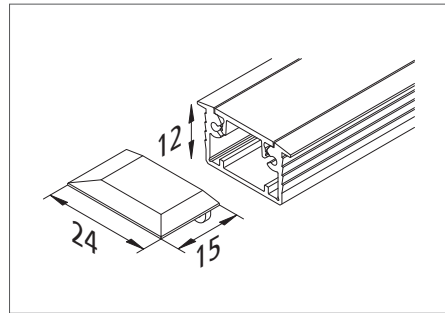
Einfräsprofil 17/12mm

alu eloxiert 8 mm ✓
10 mm –



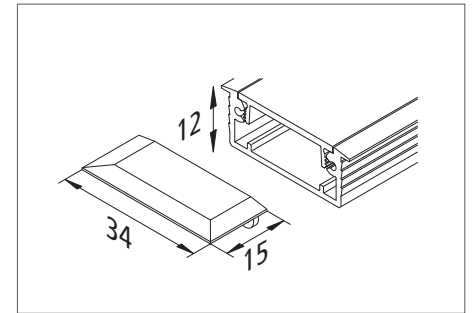
Einfräsprofil 24/7mm

alu eloxiert + schwarz 8 mm ✓
10 mm –



Einfräsprofil 24/12mm

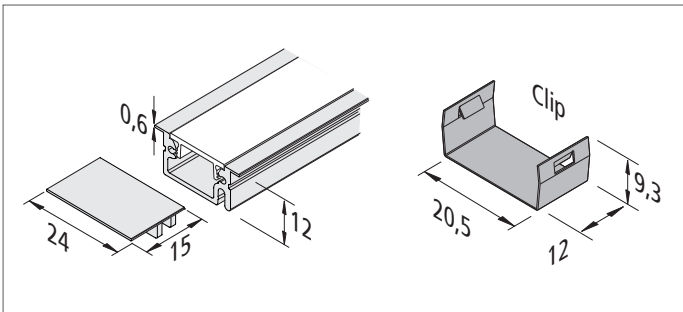
edelstahloptik + alu eloxiert 8 mm ✓
+ schwarz 10 mm ✓



Einfräsprofil 34/12mm

alu eloxiert 8 mm ✓
10 mm ✓

Einfräsprofile – IN-Stick

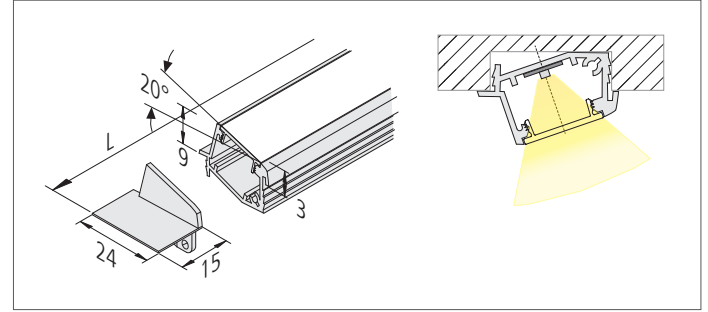


Einfräsprofil C 24mm

edelstahloptik + schwarz 8 mm ✓
10 mm ✓

Montageclip

Einfräsprofile – asymmetrisch

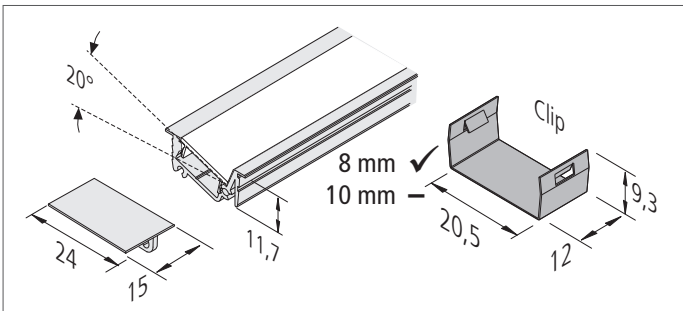


Einfräsprofil A 24mm

alu eloxiert + schwarz 8 mm ✓
10 mm ✓

Montagebeispiel

Einfräsprofile – asymmetrisch

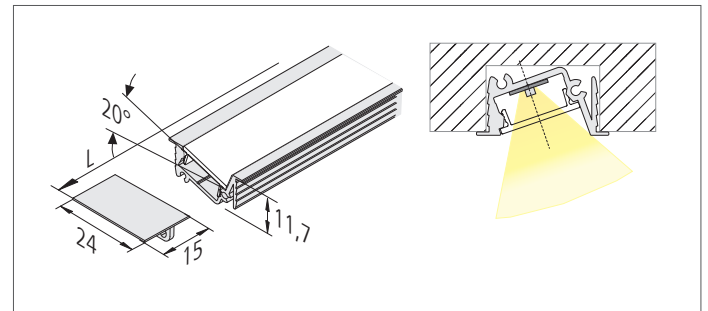


Einfräsprofil IC 24mm

edelstahloptik + schwarz 8 mm ✓
10 mm –

Montageclip

Einfräsprofile – asymmetrisch



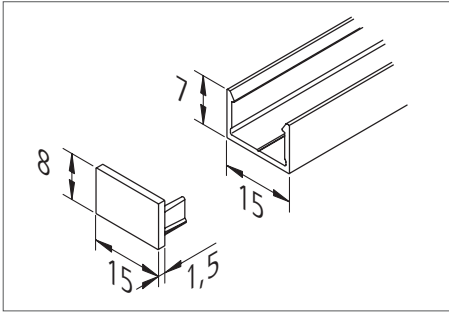
Einfräsprofil I 24mm

edelstahloptik 8 mm ✓
+ alu eloxiert + schwarz 10 mm –

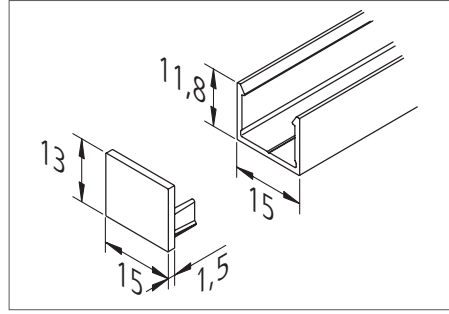
Montagebeispiel

Kompatibel mit 8 mm bzw. 10 mm Clip ✓ Ja – nein

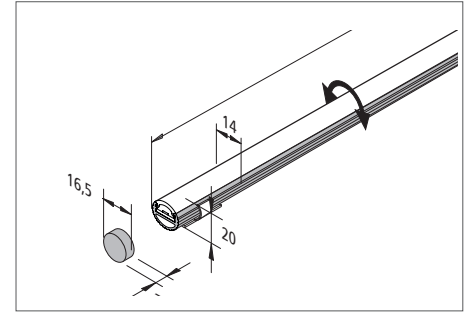
Aufbauprofile – Top-Stick



Aufbauprofil 15/8mm
 alu eloxiert + schwarz
 Top-Stick M=Mini
 8 mm ✓
 10 mm –

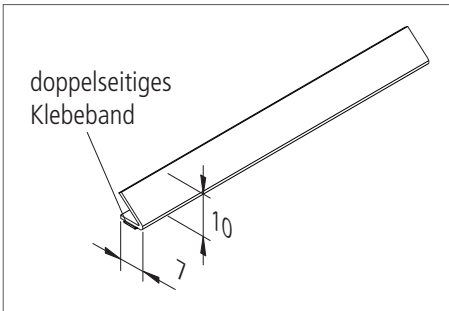


Aufbauprofil 15/13mm
 alu eloxiert + schwarz
 Top-Stick S=Small
 8 mm ✓
 10 mm ✓

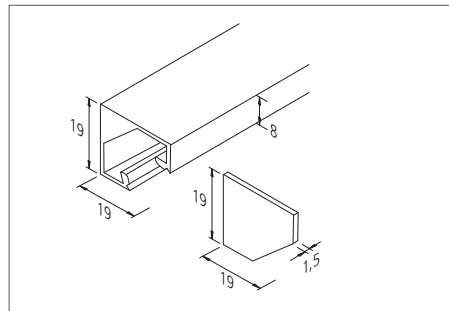


Aufbau-/Adeckprofil rund
 alu eloxiert + schwarz
 8 mm –
 10 mm –

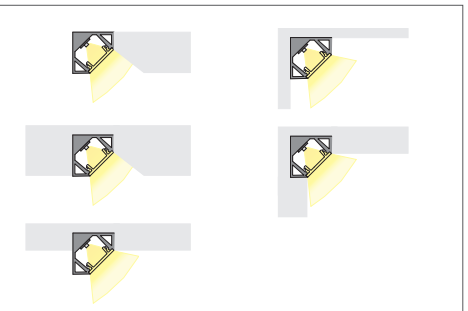
Eckprofile – Corner



Eckprofil 10mm 45°
 Aluminium
 8 mm ✓
 10 mm ✓

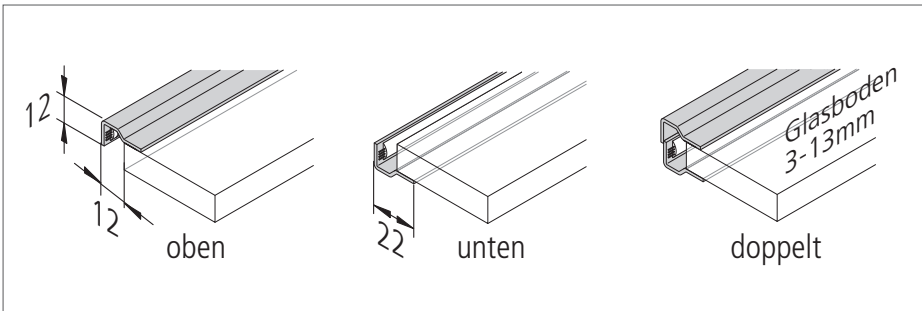


Eckprofil 19mm
 alu eloxiert + schwarz
 8 mm ✓
 10 mm ✓



Montagebeispiele

Glaskantenprofil



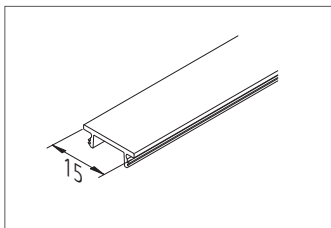
Glaskantenprofil
 alu eloxiert
 8 mm ✓
 10 mm ✓

Legende

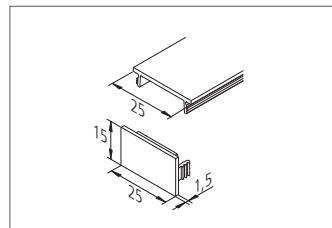
Kompatibel mit 8 mm bzw. 10 mm Clip

✓ Ja
 – nein

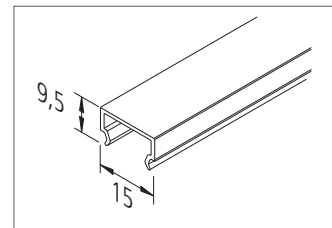
Abdeckprofile



Abdeckprofil 15mm
 PC klar + leicht mattiert
 + stark mattiert + leicht schwarz mattiert

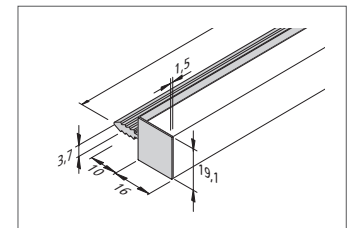


Abdeckprofil 25mm
 PC klar + leicht mattiert
 + stark mattiert



Abdeckprofil H
 PC stark mattiert

Back-Line



Back-Line
 alu eloxiert + schwarz
 8 mm ✓
 10 mm ✓

Kompatibel mit 8 mm bzw. 10 mm Clip ✓ Ja – nein